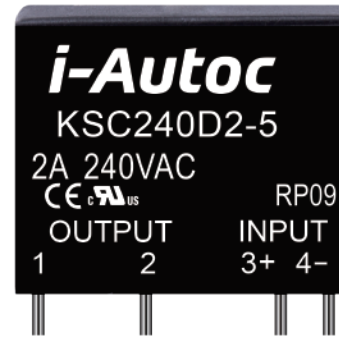


Product Description

- ◆ Opto-isolation
- ◆ TRIAC Output
- ◆ Control Current: 10mA
Control Voltage: 5VDC, 12VDC, 24VDC
- ◆ Load Current: 1A, 2A@24-280VAC
- ◆ Dielectric Strength: 2500Vrms
- ◆ PCB Mounted
- ◆ RoHS Compliant



Ordering Information

KSC	240	D	2	R	-24	T	(XXX)
KSC Series ⁽¹⁾	Load Voltage 240: 240VAC	DC Control	Load Current 1: 1Amp 2: 2Amp	Switching Mode Blank: Zero Crossing R: Random-on	Control Mode 5: 5VDC 12: 12VDC 24: 24VDC I: 10mA	Pin Layout Blank: Standard T: T Type Footprint	Customized Code

(1) Part numbers available are listed in the table below.

	1A		2A	
5VDC	KSC240D1-5	KSC240D1R-5	KSC240D2-5	KSC240D2R-5
	KSC240D1-5T	KSC240D1R-5T	KSC240D2-5T	KSC240D2R-5T
12VDC	KSC240D1-12	KSC240D1R-12	KSC240D2-12	KSC240D2R-12
	KSC240D1-12T	KSC240D1R-12T	KSC240D2-12T	KSC240D2R-12T
24VDC	KSC240D1-24	KSC240D1R-24	KSC240D2-24	KSC240D2R-24
	KSC240D1-24T	KSC240D1R-24T	KSC240D2-24T	KSC240D2R-24T
I	KSC240D1-I	KSC240D1R-I	KSC240D2-I	KSC240D2R-I
	KSC240D1-IT	KSC240D1R-IT	KSC240D2-IT	KSC240D2R-IT

General Specifications

Input Specifications (Ta=25°C)		
Control Current Range	I	10-35mA
	5	4-6VDC
	12	9.6-14.4VDC
Control Voltage Range	24	19.2-28.8VDC
	I	10mA
Must Turn-on Voltage	5	4VDC
	12	9.6VDC
	24	19.2VDC
Must Turn-off Current	I	1mA
Must Turn-off Voltage	5/12/24	1VDC
	5	25mA (@6VDC)
	12	25mA (@14.4VDC)
Maximum Input Current	24	25mA (@28.8VDC)

General Specifications

Output Specifications (Ta=25°C)		
Load Voltage Range	24-280VAC	
Maximum Transient Overvoltage	600Vpk	
Maximum Off-State Leakage Current@Rated Load Voltage	1.5mA	
Minimum Off-State dv/dt@Maximum Rated	200V/μs	
Load Current Range	1A	0.1-1A
	2A	0.1-2A
Maximum Surge Current (50Hz)	1A	25A _{pk}
	2A	35A _{pk}
Maximum I ² t for Fusing (10ms)	1A	3.1A ² s
	2A	6.1A ² s

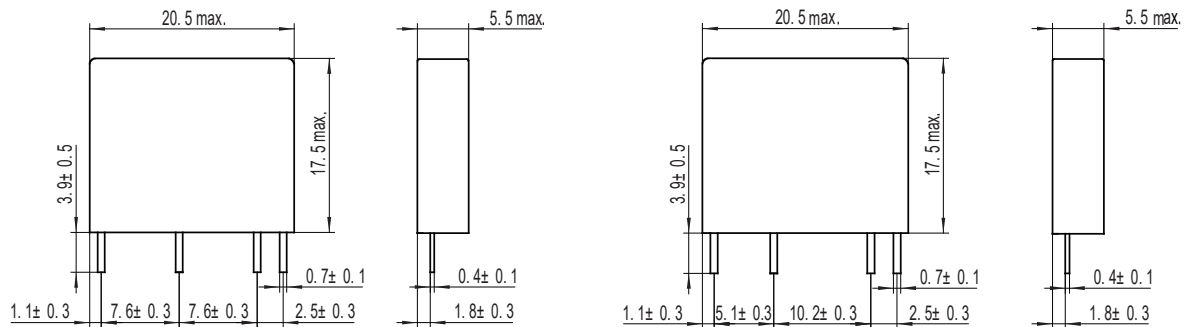
Maximum On-State Voltage Drop@Rated Current	1.5V _{rms}
Maximum Turn-on Time	Zero Crossing: 1/2cycle+1ms, Random-on: 1ms
Maximum Turn-off Time	1/2cycle+1ms
Operational Frequency Range	47-63Hz
Minimum Power Factor (@ Maximum load)	0.5

General Specifications (Ta=25°C)	
Dielectric Strength (50/60Hz)	2500V _{rms}
Minimum Insulation Resistance (@500VDC)	1000MΩ
Ambient Temperature Range	-30°C ~ +80°C
Storage Temperature Range	-30°C ~ +100°C
Weight (Typical)	3g

Applications

Suitable for pumps, valve control, motor control, and PLC output node expansion.

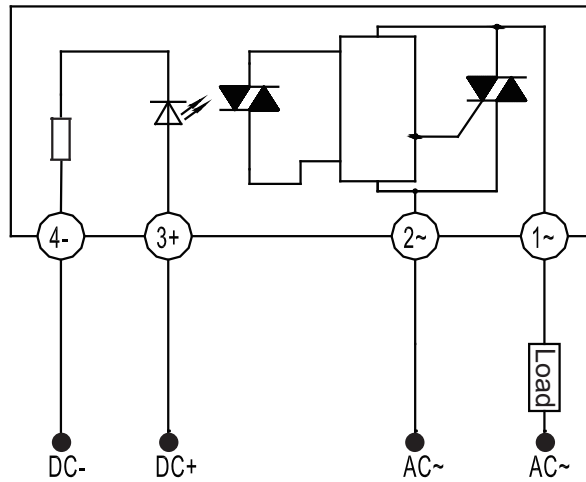
Outline Dimensions



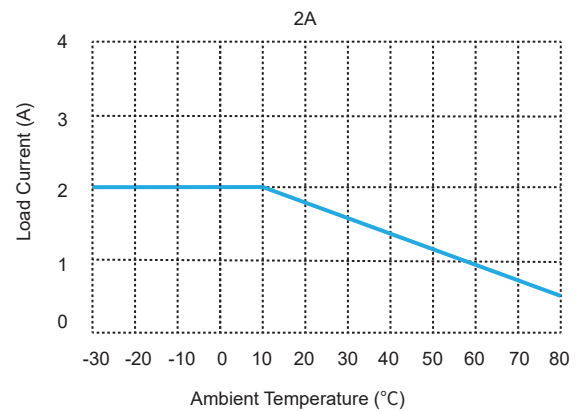
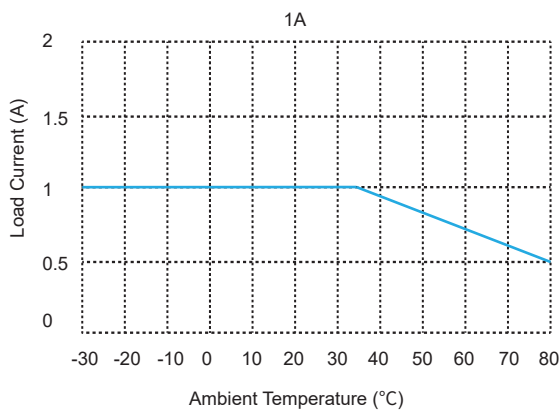
Standard Footprint

T Type Footprint

Wiring Diagram



Thermal Derating Curve



General Notes

1. Soldering must be finished within 10 seconds at 260°C, or finished within 5 seconds at 350°C. Otherwise it may cause damage to the relay.
2. Terminal polarity must be observed. Otherwise it may cause damage to the relay.
3. When ambient temperature is above 25°C, the maximum load current decreases. See thermal derating curve.

Warnings

1. The product's side panels may be hot, allow the product to cool before touching.
2. Disconnect all power before installing or working with this equipment.
3. Verify all connections and replace all covers before turning on power.

Certification Standards

Certification	Test Standard
UL	UL508
CE	C22.2 No. 14-13